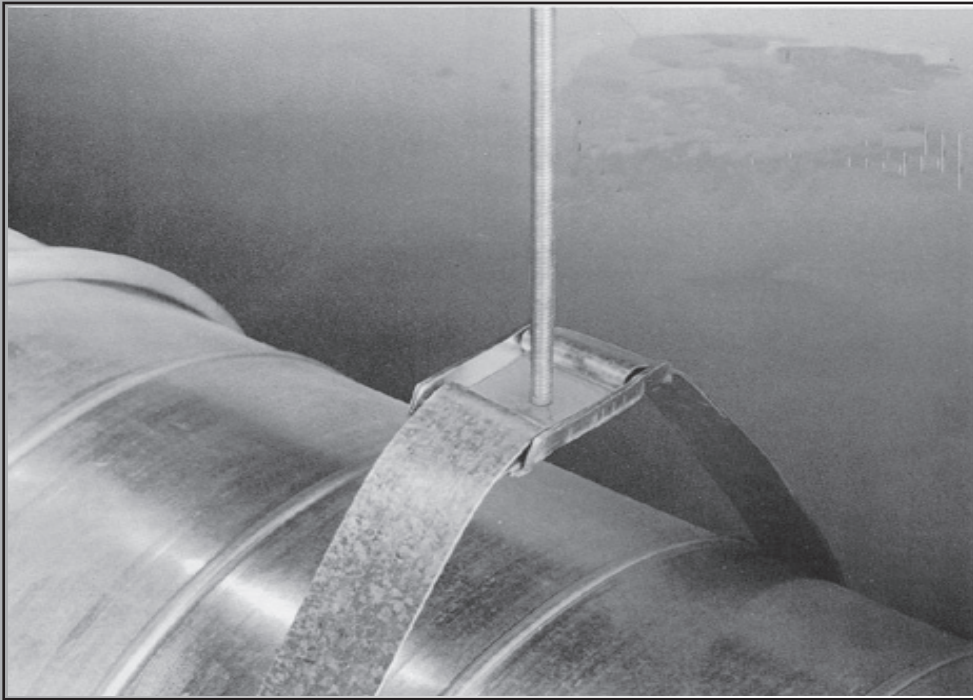


# DUCTMATE®

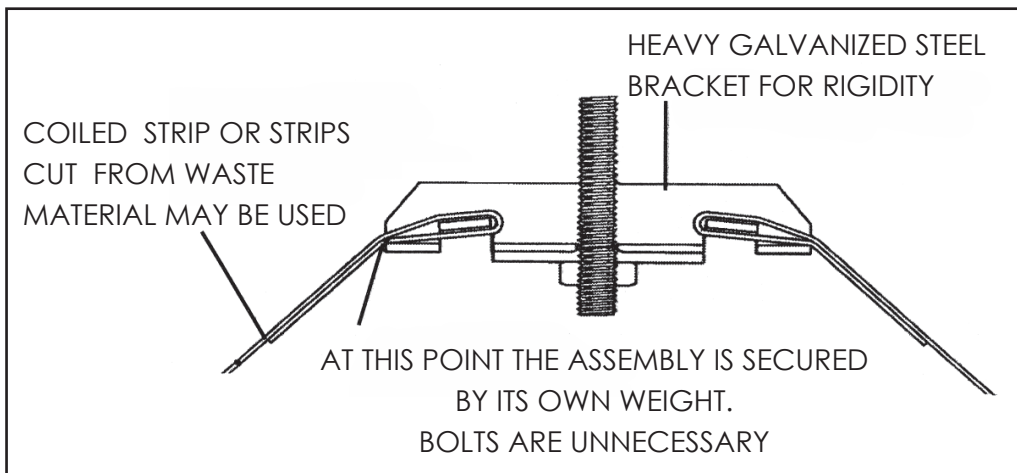


## Round Duct Strap Bracket Type BA

The ideal way to hang round ductwork. No tools are required. The steel strip is hand bent into the bracket which is self loading. A stamped galvanized steel bracket joins the two ends of the galvanized strip encircling the duct and provides a suspension point for a hanger rod.

# Hanger

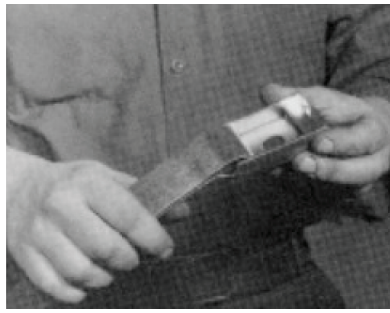
## Round Duct Strap Bracket Type BA



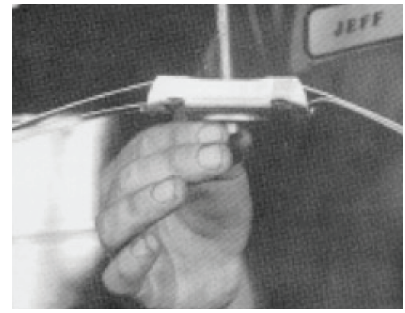
## Instructions For Assembly



1. Both end of the strip are bent over 3" - 5" (8-12cm).



2. Hook the end through the slots in the bracket.



3. Suspend the assembly from a drop-rod or attach directly to the ceiling.

## SPECIFICATIONS

Type	Description	Duct Diameter	Strap Size	Rod Size	Load Rating
BA3	Bracket	Upto to 50" (SMACNA)	1"x18GA to 22GA	5/16"-3/8"	660lbs (300kg)